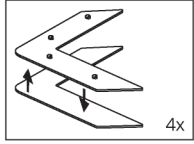
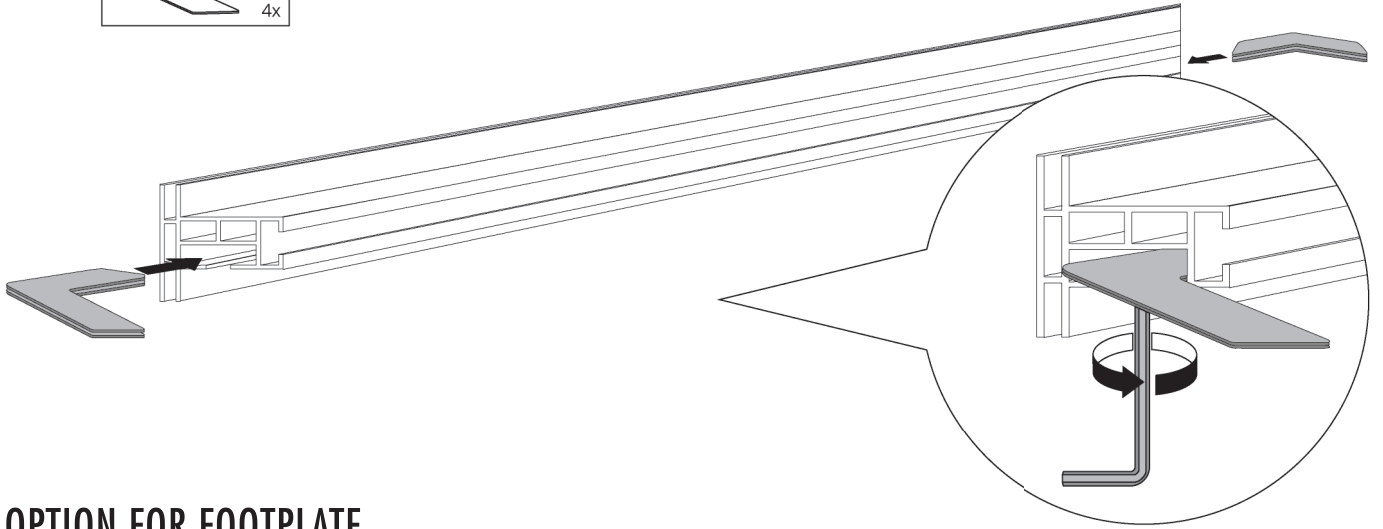


1

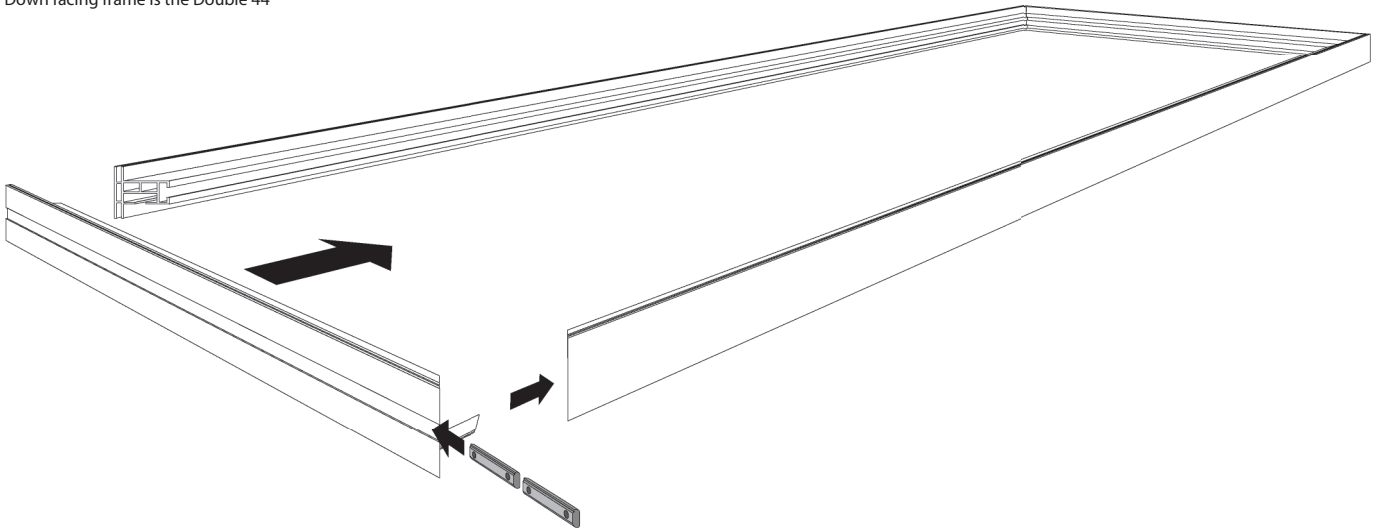


F 44

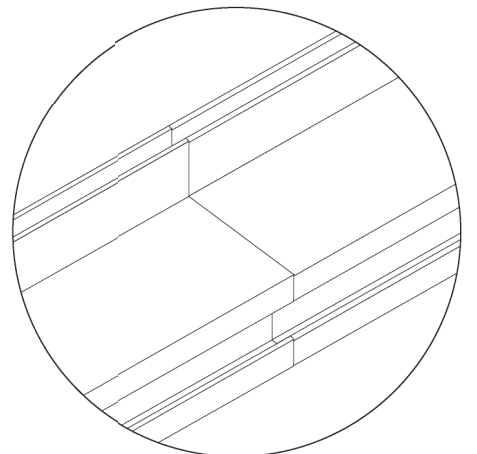
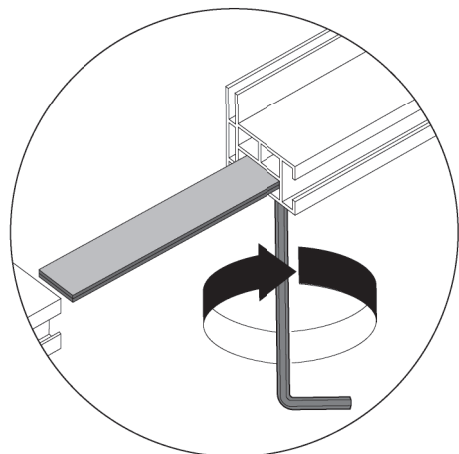
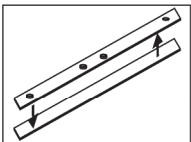


### OPTION FOR FOOTPLATE

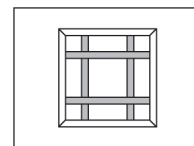
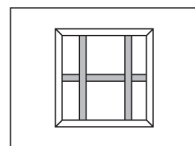
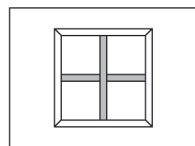
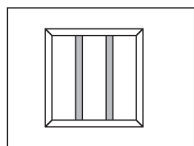
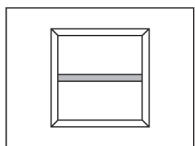
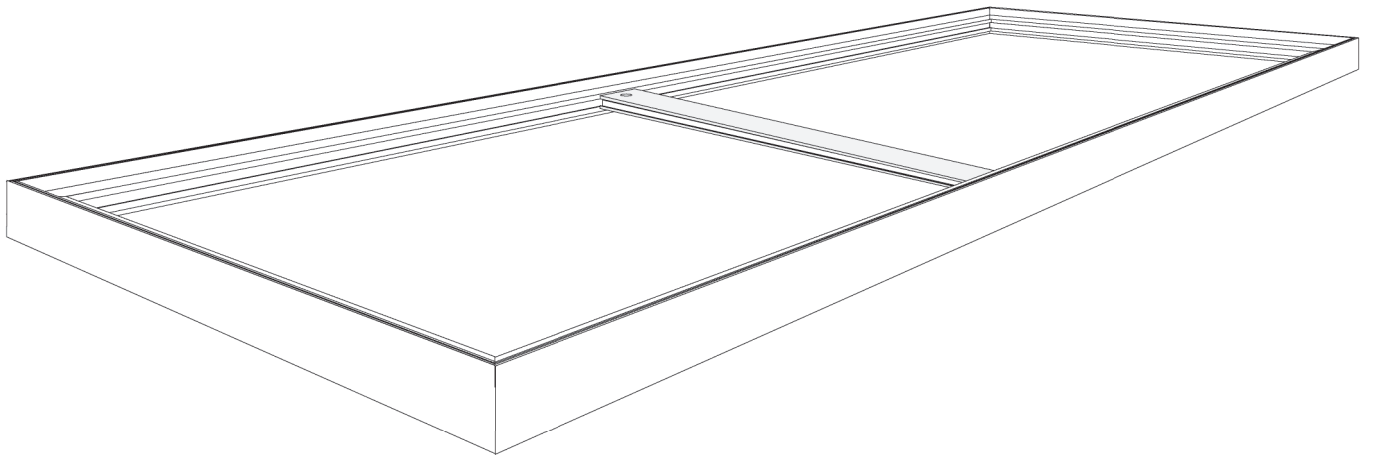
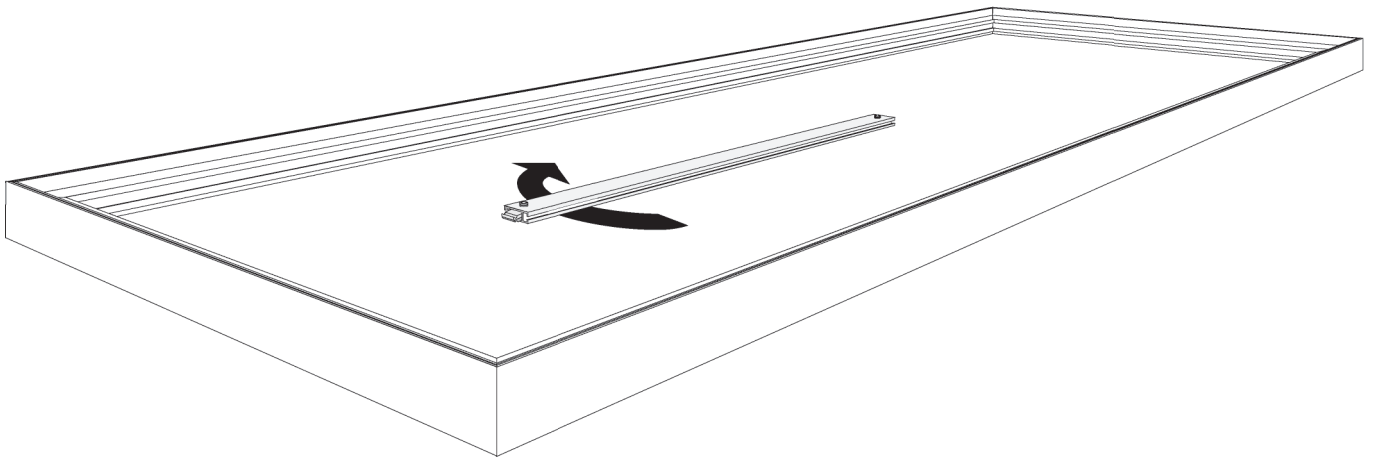
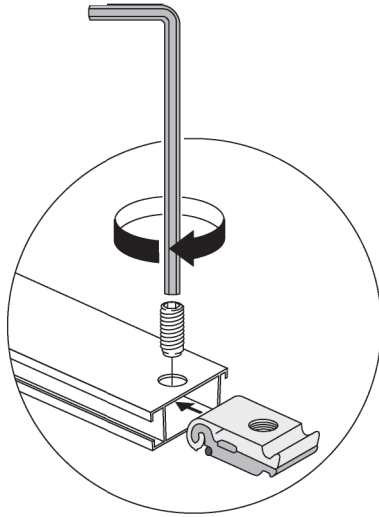
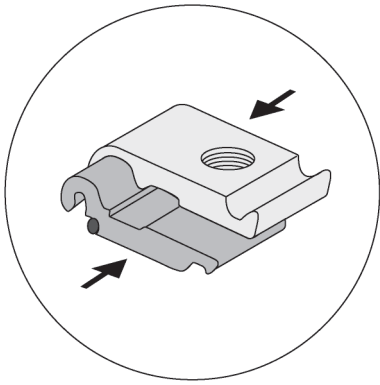
Down facing frame is the Double 44



### OPTION FOR EXTENSION



2



Option 1

Option 2

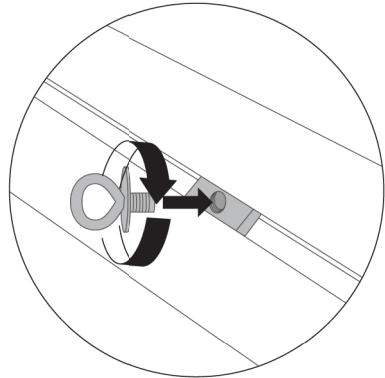
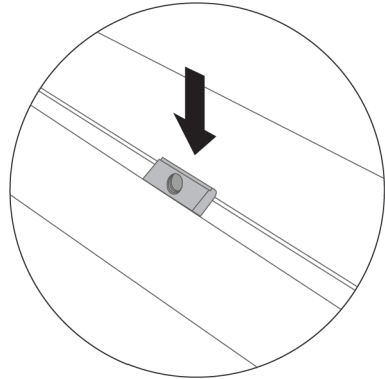
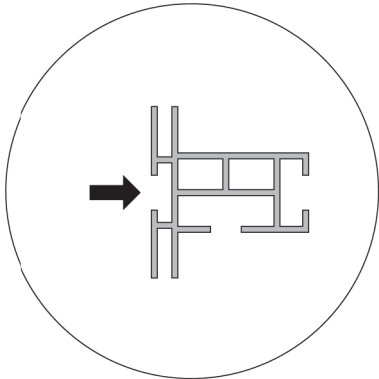
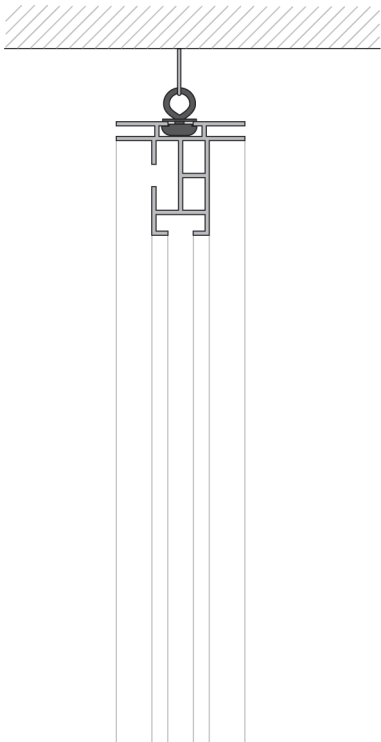
Option 3

Option 4

Option 5

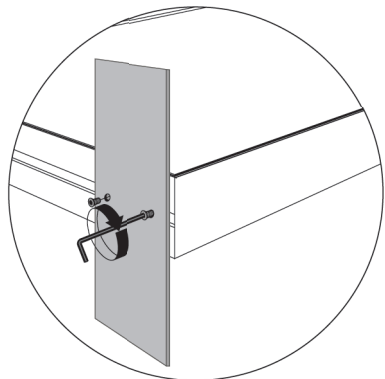
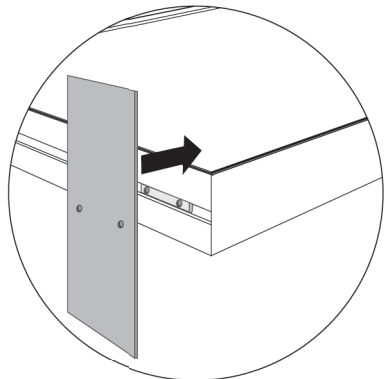
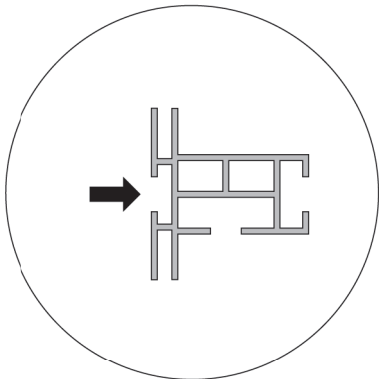
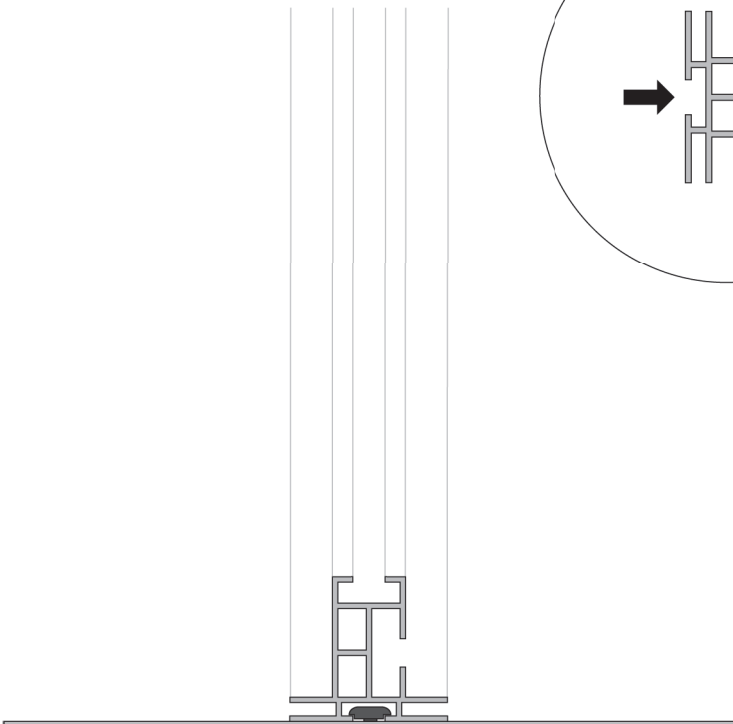
# OPTION CEILING MOUNT

Up facing frame is the Double 44



# OPTION FOR FOOTPLATE

Down facing frame is the Double 44



3

