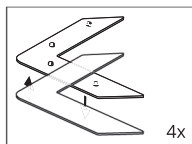
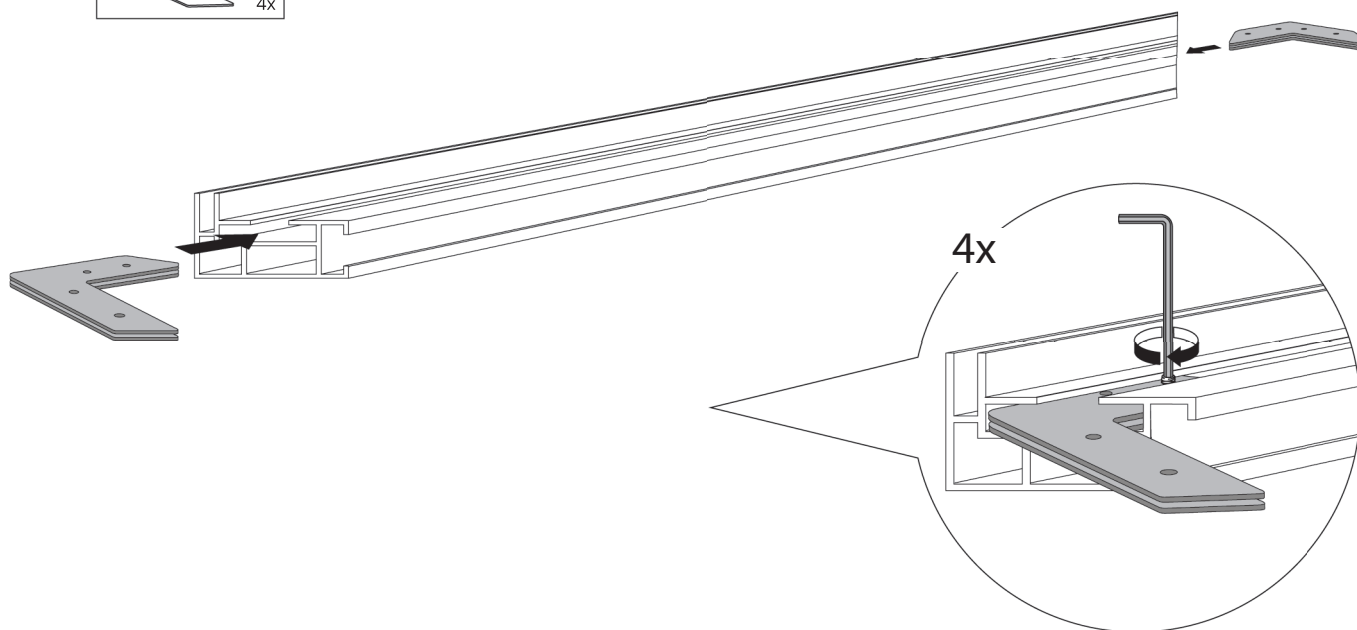


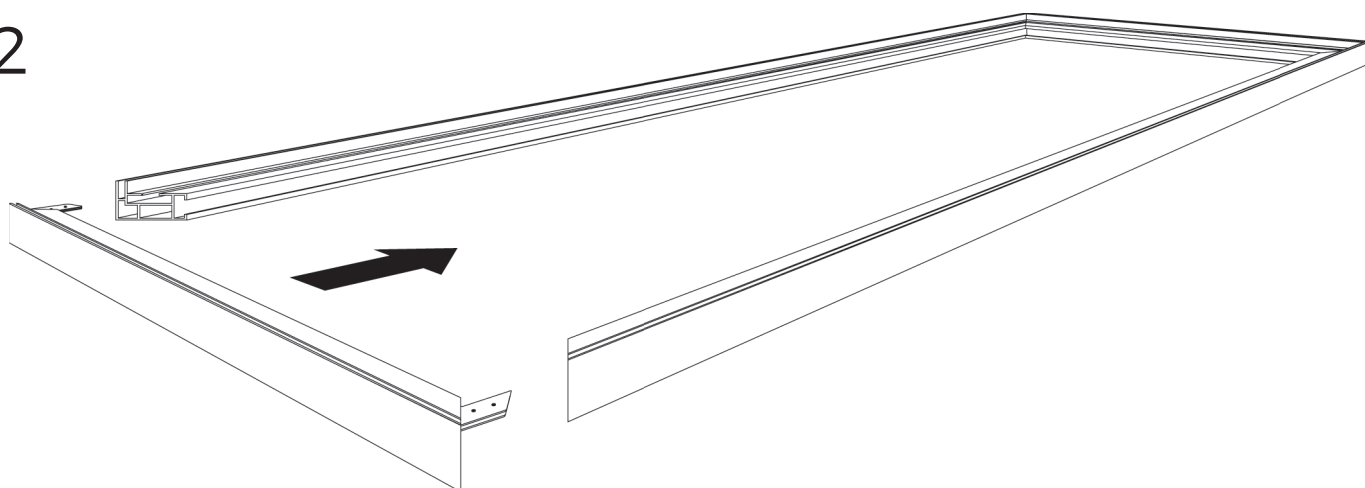
1



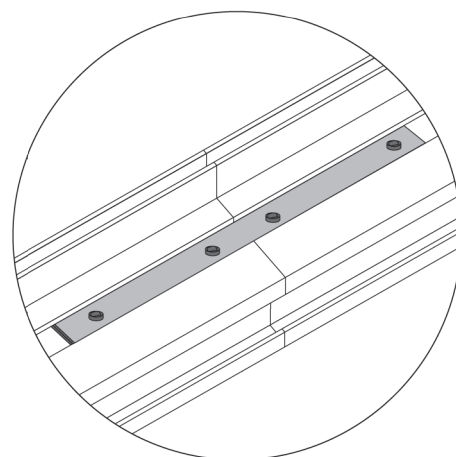
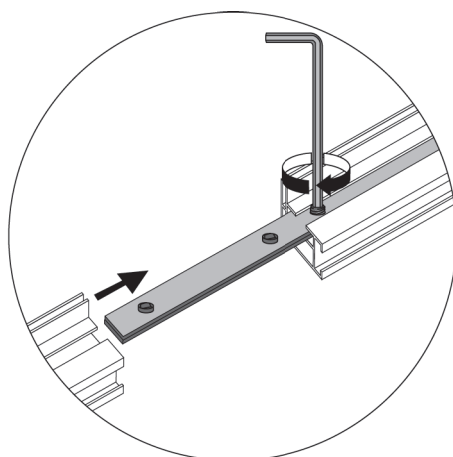
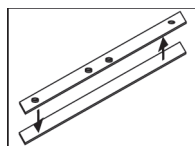
F 27



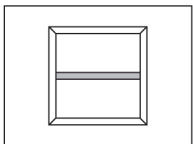
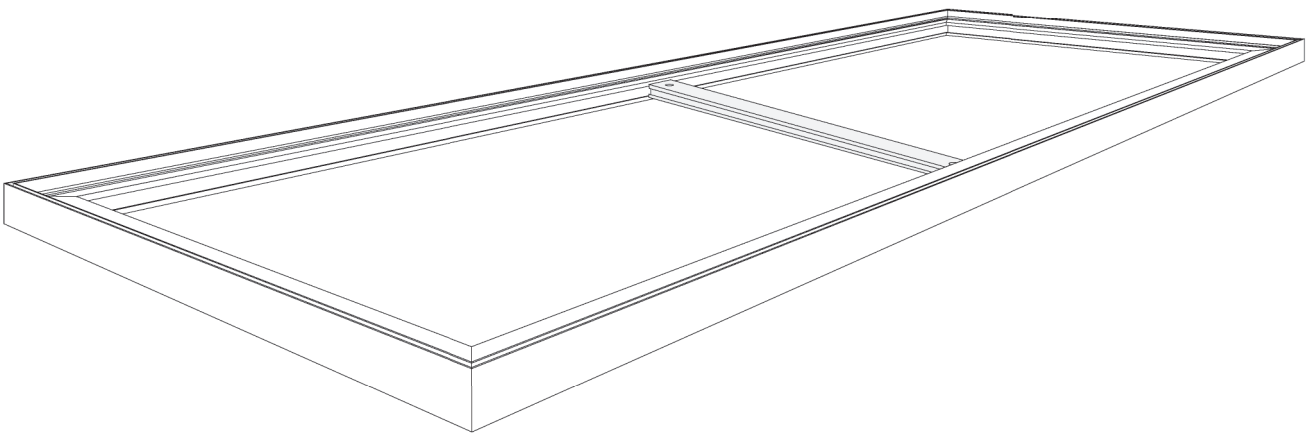
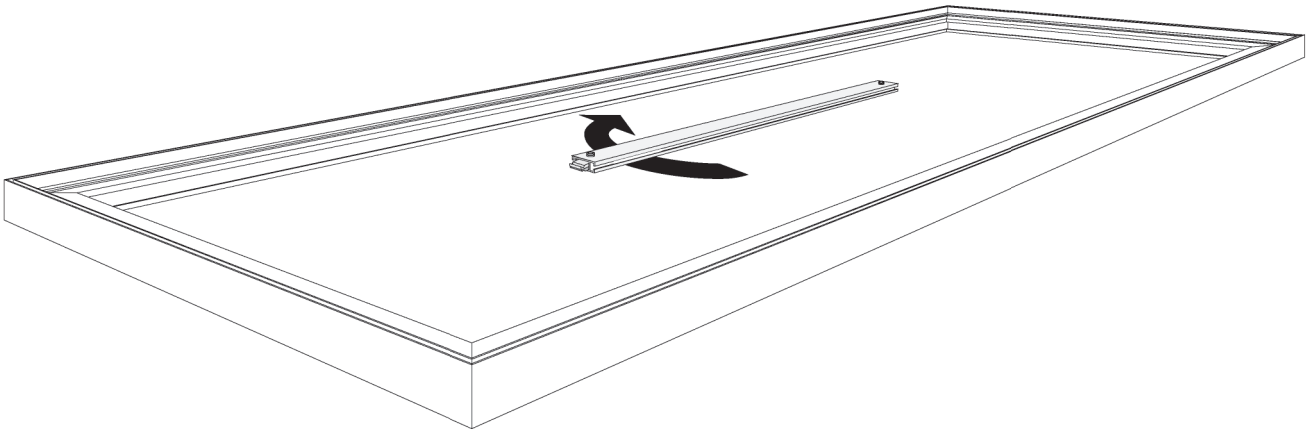
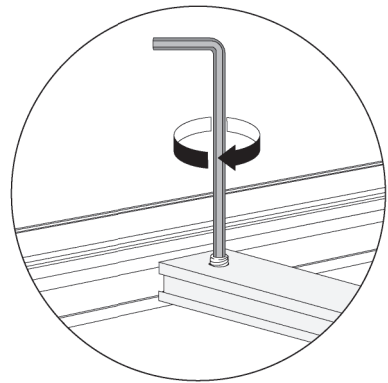
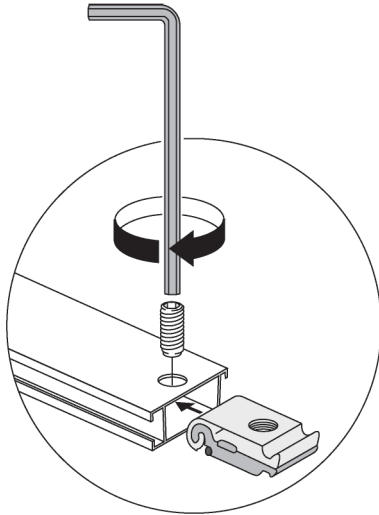
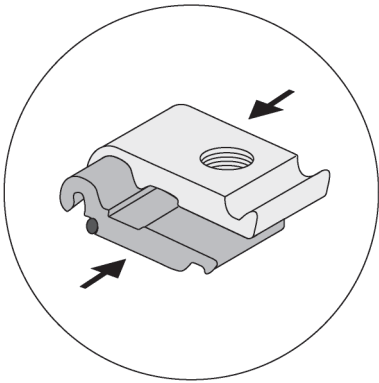
2



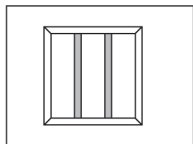
OPTION FOR EXTENSION



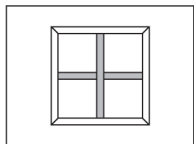
3



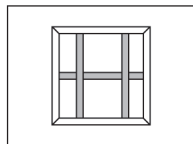
Option 1



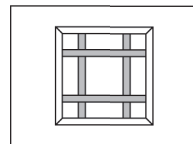
Option 2



Option 3

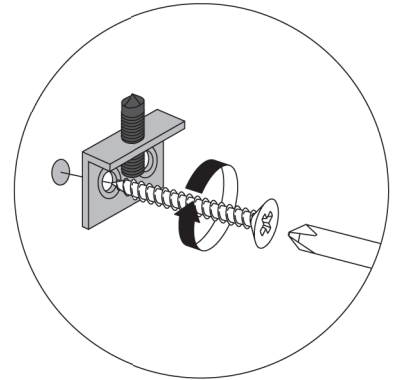
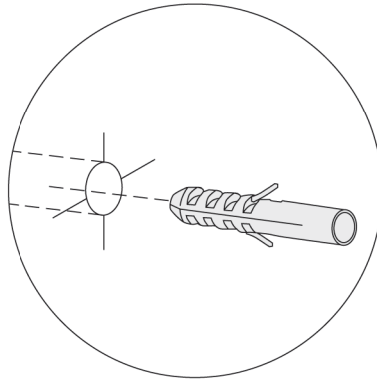
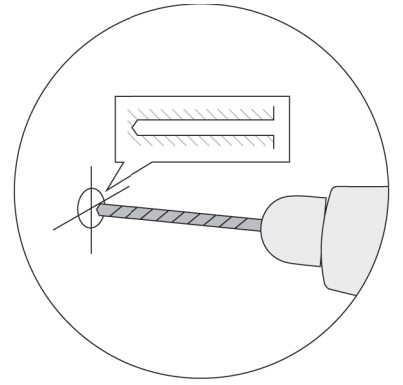
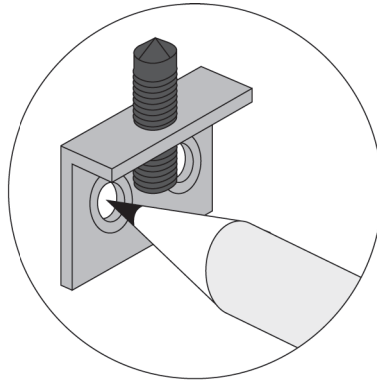
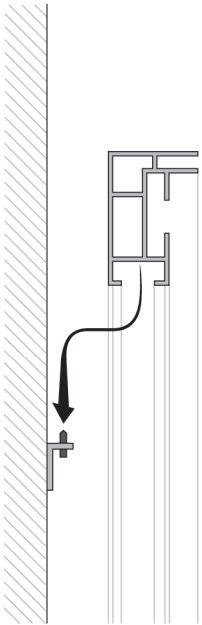


Option 4

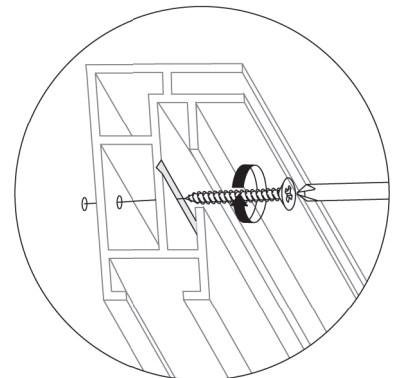
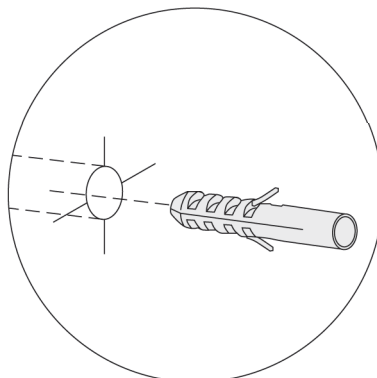
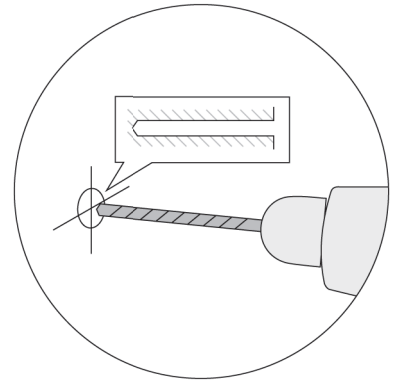
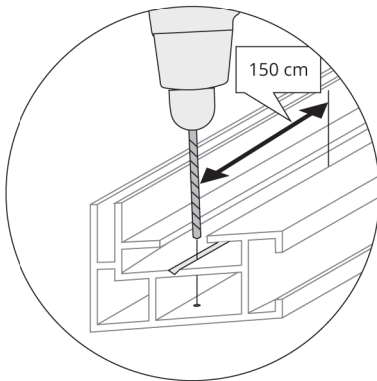
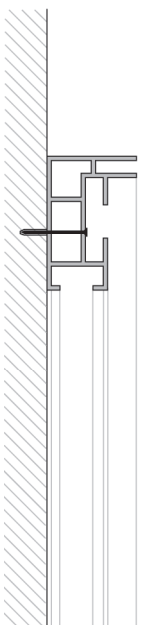


Option 5

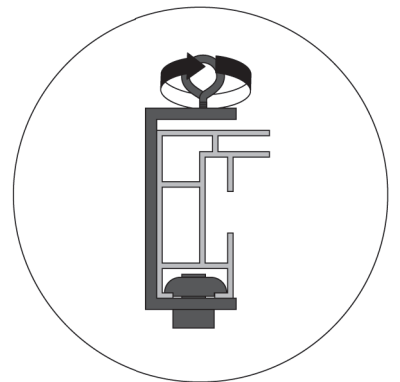
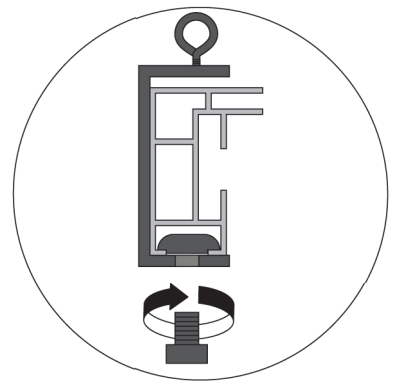
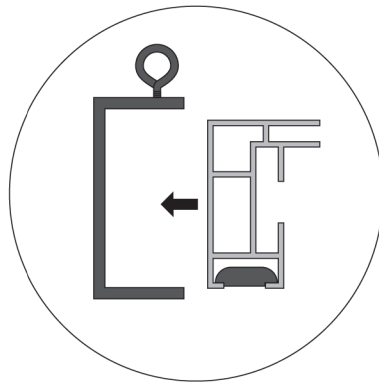
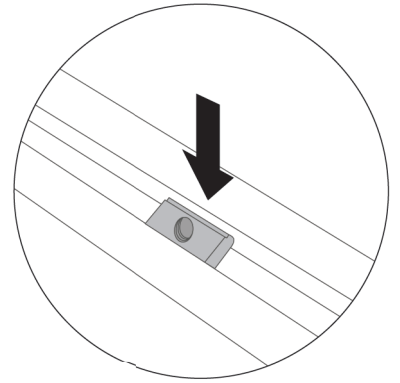
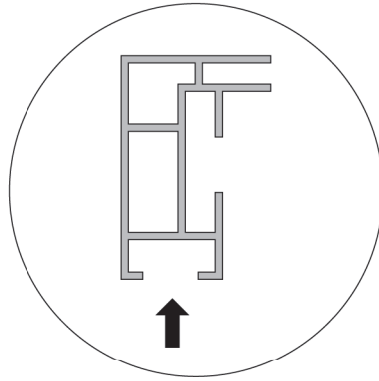
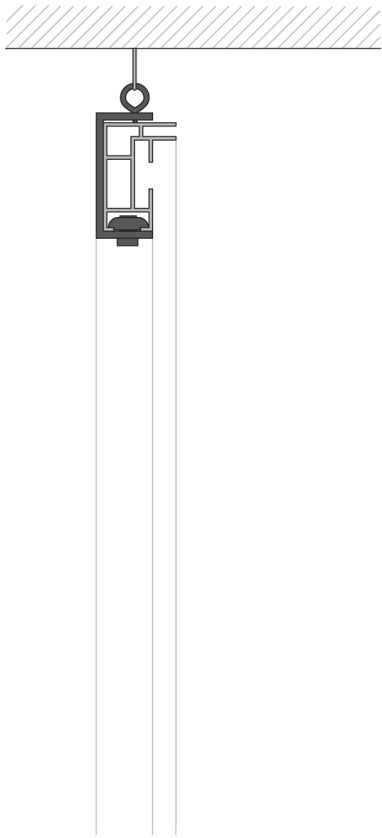
OPTION WALL MOUNT 1



OPTION WALL MOUNT 2



OPTION CEILING MOUNT



4

